

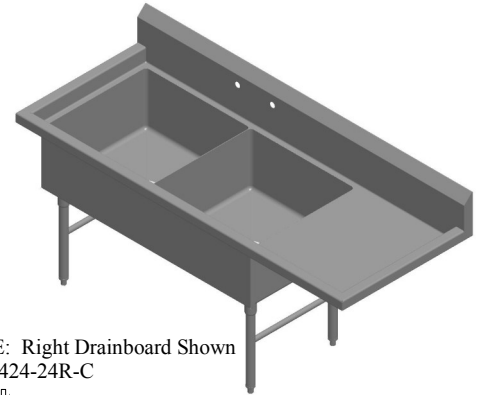
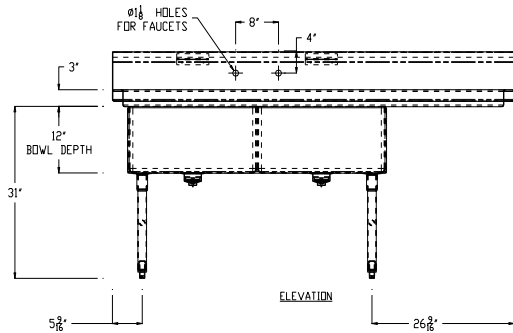
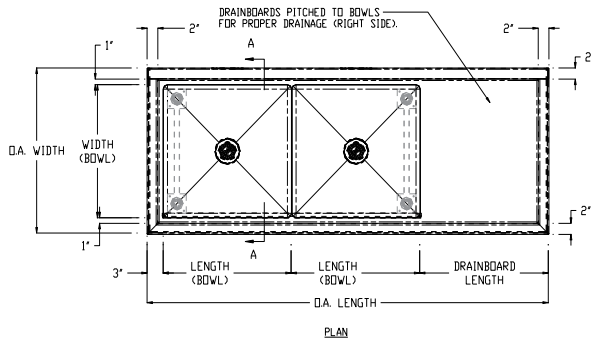


## TWO COMPARTMENT SINKS W/ ONE DRAINBOARD & CROSS BRACING

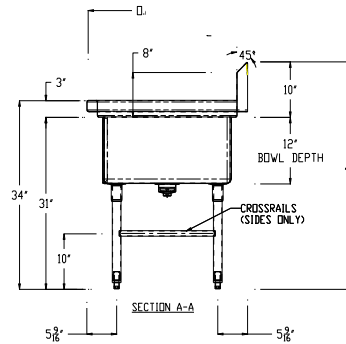
PROJECT#: \_\_\_\_\_

ITEM# \_\_\_\_\_

MODEL# \_\_\_\_\_



NOTE: Right Drainboard Shown  
C-2-2424-24R-C



| TWO COMPARTMENT SINKS W/ ONE DRAINBOARD & CROSS BRACING |     |                             |              |                   |             |            |                |
|---|-----|-----------------------------|--------------|-------------------|-------------|------------|----------------|
| MODEL#  | QTY | PRODUCT DIMENSIONS (INCHES) |              |                   |             |            |                |
|   |     | LENGTH (BOWL)               | WIDTH (BOWL) | DRAINBOARD LENGTH | O.A. LENGTH | O.A. WIDTH | OVERALL HEIGHT |
| C-2-1618-18R-C  |     | 16"                         | 18"          | 18" ON RIGHT      | 53"         | 24"        | 41"            |
| C-2-1618-18L-C  |     | 16"                         | 18"          | 18" ON LEFT       | 53"         | 24"        | 41"            |
| C-2-1618-24R-C  |     | 16"                         | 18"          | 24" ON RIGHT      | 59"         | 24"        | 41"            |
| C-2-1618-24L-C  |     | 16"                         | 18"          | 24" ON LEFT       | 59"         | 24"        | 41"            |
| C-2-1824-18R-C  |     | 18"                         | 24"          | 18" ON RIGHT      | 57"         | 30"        | 41"            |
| C-2-1824-18L-C  |     | 18"                         | 24"          | 18" ON LEFT       | 57"         | 30"        | 41"            |
| C-2-1824-24R-C  |     | 18"                         | 24"          | 24" ON RIGHT      | 63"         | 30"        | 41"            |
| C-2-1824-24L-C  |     | 18"                         | 24"          | 24" ON LEFT       | 63"         | 30"        | 41"            |
| C-2-2030-20R-C  |     | 20"                         | 30"          | 20" ON RIGHT      | 63"         | 36"        | 41"            |
| C-2-2030-20L-C  |     | 20"                         | 30"          | 20" ON LEFT       | 63"         | 36"        | 41"            |
| C-2-2424-18R-C  |     | 24"                         | 24"          | 18" ON RIGHT      | 69"         | 30"        | 41"            |
| C-2-2424-18L-C  |     | 24"                         | 24"          | 18" ON LEFT       | 69"         | 30"        | 41"            |
| C-2-2424-24R-C  |     | 24"                         | 24"          | 24" ON RIGHT      | 75"         | 30"        | 41"            |
| C-2-2424-24L-C  |     | 24"                         | 24"          | 24" ON LEFT       | 75"         | 30"        | 41"            |
| C-2-2430-24R-C  |     | 24"                         | 30"          | 24" ON RIGHT      | 75"         | 36"        | 41"            |
| C-2-2430-24L-C  |     | 24"                         | 30"          | 24" ON LEFT       | 75"         | 36"        | 41"            |

### SINK SPECIFICATIONS:

- TOP:** 16 GA. 300 Series Stainless Steel
- SINK BOWLS:** 16 GA. 300 Series Stainless
- CROSS BRACING:** 1" Diameter Stainless Steel Welded To Legs
- LEGS:** 1 5/8" Diameter Stainless Steel Tubing

### CONSTRUCTION:

- ◆ Fully welded, Seamless, Polished to #4 Finish
- ◆ Euro Edge
- ◆ S/S Adjustable Bullet Feet
- ◆ Crumb Cup Drain 1 1/2" IPS
- ◆ 8" On Center Faucet Holes
- ◆ Ships with (2) Wall Mount "Z" Clips
- ◆ Integral 10" Tall Backsplash